

# SMOKE ALARM USER MANUAL

## MODEL NUMBER: EP-RANG-1

Thank you for choosing this smoke alarm. Please take a few minutes to read the users manual thoroughly and familiarise yourself and your family with its operation, and save it for future reference.

This unit has been designed to meet the latest safety standards demanded in Australia and complies with the requirements of AS3786:2014.

<b>POWER:</b>	DC 9V
<b>OPERATION CURRENT</b>	≤ 8uA (standby), ≤ 28mA (alarm)
<b>BATTERY LIFETIME:</b>	1 year
<b>ALARM VOLUME:</b>	>85dB (A) at 3 meters
<b>ALARM SENSITIVITY:</b>	0.1-0.16dB/m
<b>HUSH/SILENCE TIME:</b>	approx. 8 minutes
<b>COMPLY WITH:</b>	AS3786:2014
<b>SOUND PATTERN:</b>	ISO8201 (BI 0.5s - pause 0.5s - BI 0.5s - pause 0.5s - BI 0.5s - pause 1.5s, with the red LED flash, repeat this alarm pattern)



## DESCRIPTION

The unit is a photoelectric smoke alarm device. It is particularly sensitive for detecting visible micro-particles (associated with smoldering fires) and reacts faster than ionization alarms.

An example of such smoldering fires is a cigarette burning in a couch or bedding, a common cause of devastating blazes.

Please note this device does not detect flames, heat, carbon monoxide or other hazardous gases. It has many advanced features and an extended operational life with the included battery.

### Australian State Based Smoke Alarm Regulations/Recommendations

#### NSW

[fire.nsw.gov.au/page.php?id=80](http://fire.nsw.gov.au/page.php?id=80)

#### QLD

[www.qfes.qld.gov.au/community-safety/smokealarms](http://www.qfes.qld.gov.au/community-safety/smokealarms)

#### SA

[mfs.sa.gov.au/site/community\\_safety/home\\_fire\\_and\\_life\\_safety\\_information\\_sheets\\_domestic/smoke\\_alarms\\_what\\_you\\_need\\_to\\_know.jsp](http://mfs.sa.gov.au/site/community_safety/home_fire_and_life_safety_information_sheets_domestic/smoke_alarms_what_you_need_to_know.jsp)

#### WA

[dfes.wa.gov.au/safetyinformation/fire/fireinthehome/FireintheHomeManualsGuidelines/DFES\\_FireintheHome-SmokeAlarm-Legislative-Requirements-LAWS.pdf](http://dfes.wa.gov.au/safetyinformation/fire/fireinthehome/FireintheHomeManualsGuidelines/DFES_FireintheHome-SmokeAlarm-Legislative-Requirements-LAWS.pdf)

#### TAS

[tfseducation.com.au/resources/publications](http://tfseducation.com.au/resources/publications)

#### ACT

[esa.act.gov.au/community-information/home-fire-safety/smoke-alarms/](http://esa.act.gov.au/community-information/home-fire-safety/smoke-alarms/)

#### NT

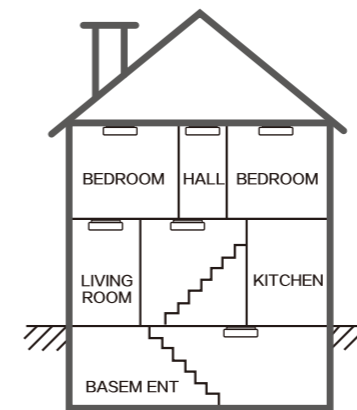
<https://nt.gov.au/emergency/community-safety/fire-safety-at-home/smoke-alarms>

## INSTALLATION POSITIONING ADVICE

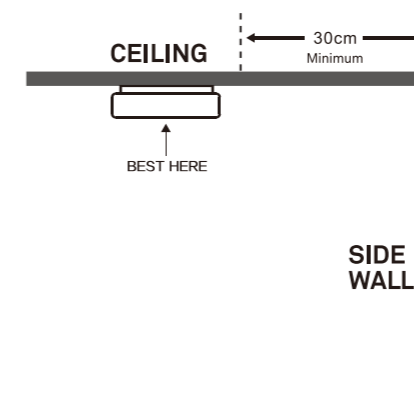
When mounting an alarm on the ceiling, locate it a minimum of 30cm from the side wall (see Diagram 2).

- Put Smoke Alarm/s at both ends of a bedroom hallway or large room if larger than 10m long.
- Install Smoke Alarm/s on slopped, peaked or cathedral ceilings between 50cm and 250cm from the highest point of the ceiling (see Diagram 3).

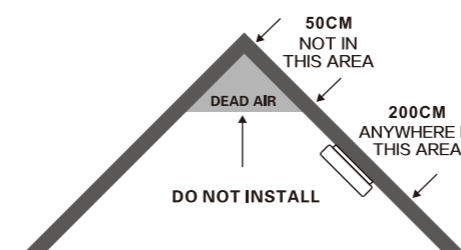
**DIAGRAM 1  
MULTIPLE FLOOR PLAN**



**DIAGRAM 2  
CEILING PLACEMENT**



**DIAGRAM 3  
PEAK CEILING PLACEMENT**



## LOCATIONS TO AVOID

- 1: Near appliances or areas where normal combustion regularly occurs (kitchens, near cookers, hot water heaters etc). Use specialized smoke alarms with unwanted alarm control for these areas.
- 2: In areas with high humidity, like bathrooms or areas near dishwashers or washing machines, install at least 3m away from these areas.
- 3: Near air returns or heating and cooling supply vents, install at least 1m away from these areas. The air could blow smoke away from the detector, interrupting its alarm.
- 4: In rooms where temperature may fall below 0°C or rise above 40°C.
- 5: In extremely dusty or dirty areas, particles interfere with smoke alarm operation.
- 6: Keep away from air conditioning or ventilation.

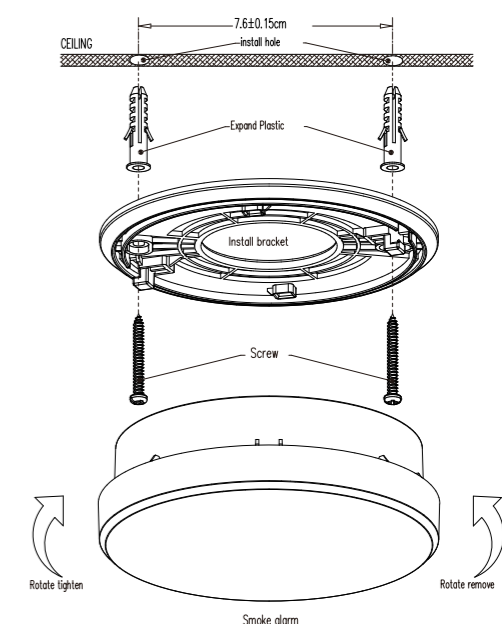
## INSTALLATION

**WARNING:** Smoke Alarm will not attach to mounting bracket unless battery is installed correctly.

- 1: Take off the bracket from the alarm body.
- 2: Hold the bracket on the installation position, and mark installation holes of the bracket with pencil.
- 3: Drill two installation holes at the position with electric drill, making diameter of holes 5mm, and then insert the two plastic fixing anchors into holes with hammer.
- 4: Attach the bracket to the plastic fixing anchors and tighten the screws into the plastic fixing anchors. (refer to Diagram 4).
- 5: Fit the alarm on the bracket and turn the alarm body clockwise, until it matches securely on the bracket.
- 6: Press the button to test the unit. The alarm sounds 3 beeps - 1.5 seconds pause. If there is no sound, it indicates a defective alarm, you can refer to "Troubles shooting" for a solution or return it to your retailer during warranty.
- 7: If you have any questions on installation, you can contact your retailer.

**WARNING:** To prevent injury, this unit must be securely attached to the ceiling in accordance with the installation instructions.

**DIAGRAM 4  
Installation Sketch Map**



## OPERATION AND TESTING

### Testing

Test by pushing the test button on the cover and holding it down for a minimum of 5 seconds. This will sound the alarm if the electronic circuitry, horn, and battery are working, until the air is cleared. If no alarm sounds, the unit has a defective battery, or another fault.

**DO NOT** use an open flame to test your alarm. You could damage the alarm or ignite combustible materials and start a structure fire.

**NOTE:** WEEKLY TESTING IS REQUIRED

### Normal Condition

The red LED on the front should flash every 32 seconds to show that the alarm is active.

### Alarm Condition

When the alarm senses products of combustion and alarm, the red LED will flash once per second. The flashing LED and pulsating alarm will continue until the air is cleared.

### Low Power Pack Condition

**IMPORTANT:** Your smoke alarm requires the power pack to have sufficient capacity of power to operate correctly.

Should your smoke alarm enter a low power pack condition, the unit will emit an audible chirp once every 32 seconds. When this occurs, you must replace the battery immediately. Your smoke alarm will continue to warn of this low power pack condition for at least 30 days. However, failure to change the battery after this time would mean your smoke alarm may have insufficient power to alert you in a real fire situation. When the alarm is removed from the mounting plate the power pack will automatically deactivate and the low power warning chirp should stop, allowing you to dispose of the alarm.

### Fault indication

The alarm chirp occurs every 32 seconds.

### Alarm silence

When the unit is alarming, push the test button, it will pause the unit alarming for approx 8 minutes. The red LED will flash once every 8 seconds, indicating the smoke alarm device is running into the silence mode.

If your smoke alarm emits the full alarm signal and you are not testing the unit, the smoke alarm is warning you of a potentially dangerous situation that requires your immediate attention. Only use the alarm silence function after making sure that there is no ongoing fire emergency situation. Do not block the vents on the alarm or disable the smoke alarm in any way, as this will remove your protection. Smoke alarms can sometimes react to cooking fumes or other non emergency situations. In the event of a known false alarm your smoke alarm can be temporarily silenced by pressing the test button. Your alarm will automatically return to full sensitivity within 8 minutes.

### NOTE:

- 1: Press and release the silence button, the alarm sound will stop.
- 2: Your alarm will silence and enter into a reduced sensitivity reset cycle for approximately 8 minutes.
- 3: During the reduced sensitivity reset cycle, the red LED will flash once every 8 seconds.
- 4: Your alarm will automatically return to full sensitivity on completion of the reset cycle and the red LED will revert to flashing once every 32 seconds.

**DANGER:** Never ignore any alarm. Ignoring the alarm may result in injury or death. If your smoke alarm activates and alarms and you are not absolutely certain of the source of the smoke, get everyone out of the house immediately.

## BATTERY REPLACEMENT

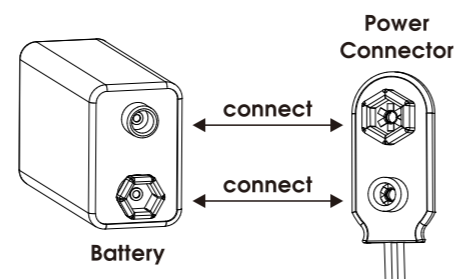
- 1: Turn the alarm body counterclockwise and remove the alarm body from the bracket (see Diagram 4).
- 2: Take out the old battery and connect the new battery to power connector according to Diagram 5.
- 3: Fix the battery into battery box, fit alarm body on bracket and turn the alarm body clockwise.
- 4: Test smoke alarm using test button. The sound pattern is 3 short beeps-pause 1.5 seconds, repeated.

### CAUTION:

Test the smoke alarm for correct operation using the test facility whenever the battery is replaced.

**Use only the following 9 volt batteries for smoke alarm battery replacement, Carbon Zinc Battery:** Pairdeer 6F22.

DIAGRAM 5



## WHAT TO DO IN CASE OF A FIRE IN YOUR HOME

- 1: Do not panic, and stay calm.
- 2: Alert small children in the home.
- 3: Leave immediately by your escape plan. Every second counts, so don't waste time getting dressed or picking up valuables.
- 4: When leaving, don't open any inside doors without first feeling its surface. If hot, or if you see smoke seeping through the cracks don't open that door! Instead, use your alternate exit. If the inside of the door is cool, place your shoulder against it, open it slightly and be ready to slam it shut if heat and smoke rush in.
- 5: If the air is smoky, stay close to the floor. Breathe shallowly through a cloth, wet if possible.
- 6: Once outside, go to your selected meeting place and make sure everyone is there.
- 7: Call the fire department from your neighbor's home -not from yours!
- 8: Don't return to your home until the fire officials say that it is all right to do so.

## ROUTINE MAINTENANCE

- 1: In addition to weekly testing, the alarm requires cleaning at least once a month to remove dust, dirt, or debris.
- 2: Use a vacuum cleaner with the soft brush, vacuum all sides and covers of smoke alarm device.
- 3: This alarm has a low battery monitor which will cause the alarm to "chirp" approx every 32 seconds and the red LED flash once at the same time, for a minimum of thirty days when the battery gets low.
- 4: If there is a defective battery or other failures, you can refer to "Trouble shooting" for solution, if there are still failures during warranty, you can return it to your retailer.

**IMPORTANT:** Do not attempt to remove the cover to clean inside. This will affect warranty.

### Cautions

- 1: Photoelectric smoke detectors can reduce the likelihood of a disaster, but they cannot guarantee a 100% safety.
- 2: To ensure your maximum security, please install all smoke detectors exactly according to this manual.
- 3: Keep the detectors clean. Do not allow dust to accumulate and test them at least once a week.
- 4: If they are not working properly, replacing them immediately.

## WARRANTY INFORMATION

Emerald Alarms Pty Ltd warrants this smoke alarm to the original purchaser.

Emerald Alarms Pty Ltd warrants each new smoke alarm is free from defects in material and workmanship under normal use and service for a period of 7 years from the date of purchase.

This warranty does not cover damage resulting from accident, misuse or abuse or lack of reasonable care of the product.

In no case shall Emerald Alarms Pty Ltd be liable for any incidental or consequential damages for breach of this or any other warranty express or implied whatsoever. Faulty product can be mailed to the following address with a detailed explanation of problem.

### Emerald Alarms Pty Ltd

ABN 50 632 601 453

2/29 Mitchell Rd Brookvale NSW 2100

## TROUBLE SHOOTING

Problem	Method of disposal
Smoke alarm does not sound when tested. <b>NOTE:</b> Push test button for at least five seconds while testing!	<ol style="list-style-type: none"> <li>1. Remove smoke alarm from bracket, then check the battery is properly connected to battery connector.</li> <li>2. Clean smoke alarm.</li> <li>3. If there are still failures during warranty, you can return it to your retailer.</li> <li>4. If the unit is out of warranty, please replace with a new alarm.</li> </ol>
The alarm chirp occurs every about approx 32 seconds, at the same time the red LED flashes once	If the battery is in low battery status replace battery refer to "BATTERY REPLACEMENT" section.
Smoke alarm chirp occurs every approx 32 seconds (alarm goes in- to fault mode)	<ol style="list-style-type: none"> <li>1. Clean smoke alarm. Please refer to the "maintenance and cleaning" section.</li> <li>2. Purchase and change to another smoke alarm if the problem still exists.</li> </ol>
Smoke alarm sounds unwanted alarms intermittently or when residents are cooking, taking showers, etc.	<ol style="list-style-type: none"> <li>1. Press test button to pause alarm.</li> <li>2. Clean smoke alarm device. Please refer to the "maintenance and cleaning" section.</li> <li>3. Move smoke alarm device to new location and press test button.</li> </ol>
The alarm sounds different. It starts and stops.	<ol style="list-style-type: none"> <li>1. Clean smoke alarm device. Please refer to the "maintenance and cleaning" section.</li> <li>2. If there are still failures during warranty, you can return it to your retailer.</li> <li>3. If the unit is out of warranty, please replace it with another new alarm.</li> </ol>